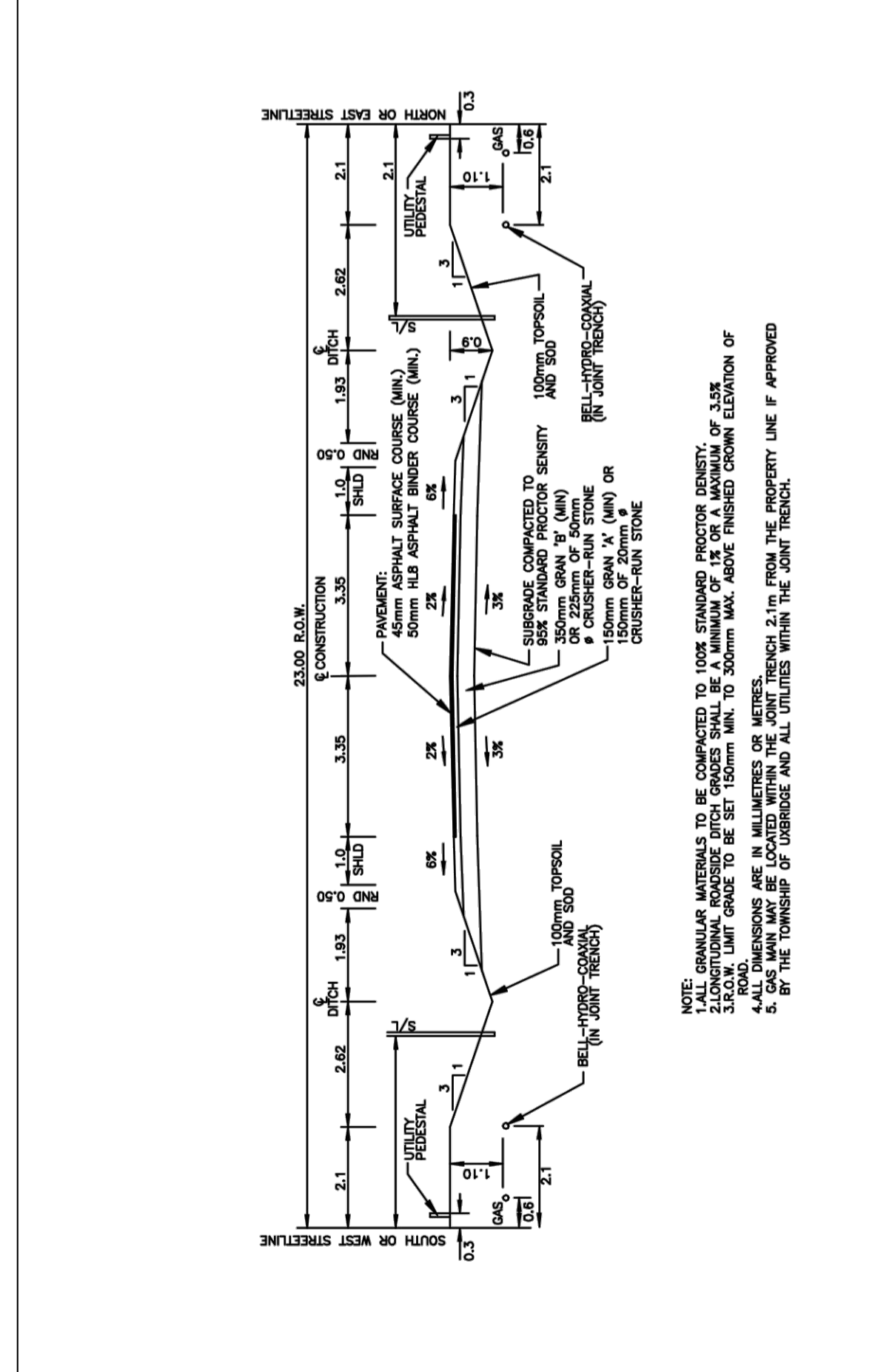
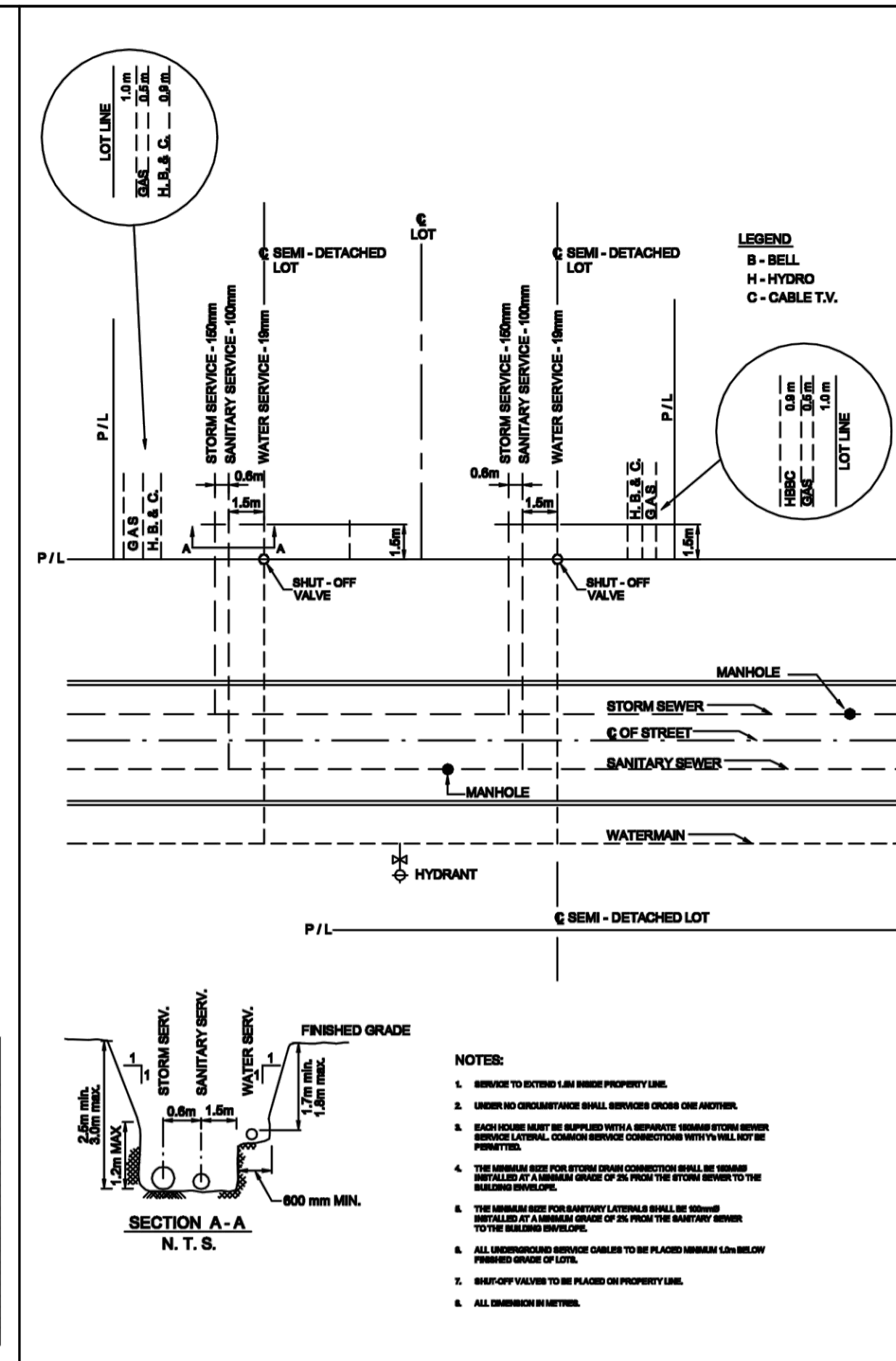


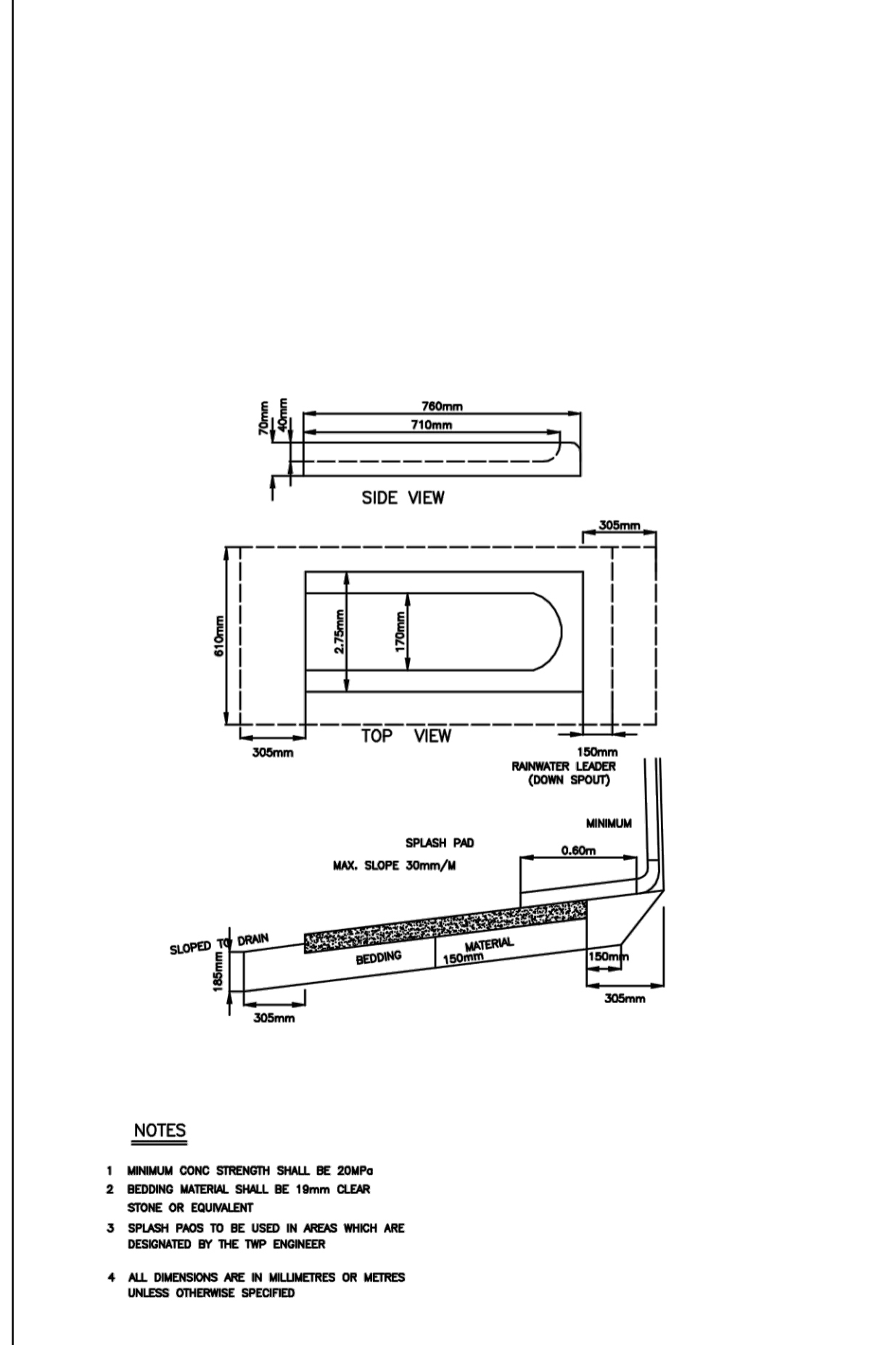
INSIDE DIA. (mm)	YIELDING STRENGTH (kPa)	YIELDING STRENGTH (kPa)	MIN. YIELDING STRENGTH (kPa)	TRENCH WIDTH (mm)
100	100	100	100	100
150	150	150	150	150
200	200	200	200	200
250	250	250	250	250
300	300	300	300	300
350	350	350	350	350
400	400	400	400	400
450	450	450	450	450
500	500	500	500	500
550	550	550	550	550
600	600	600	600	600
650	650	650	650	650
700	700	700	700	700
750	750	750	750	750
800	800	800	800	800
850	850	850	850	850
900	900	900	900	900
950	950	950	950	950
1000	1000	1000	1000	1000



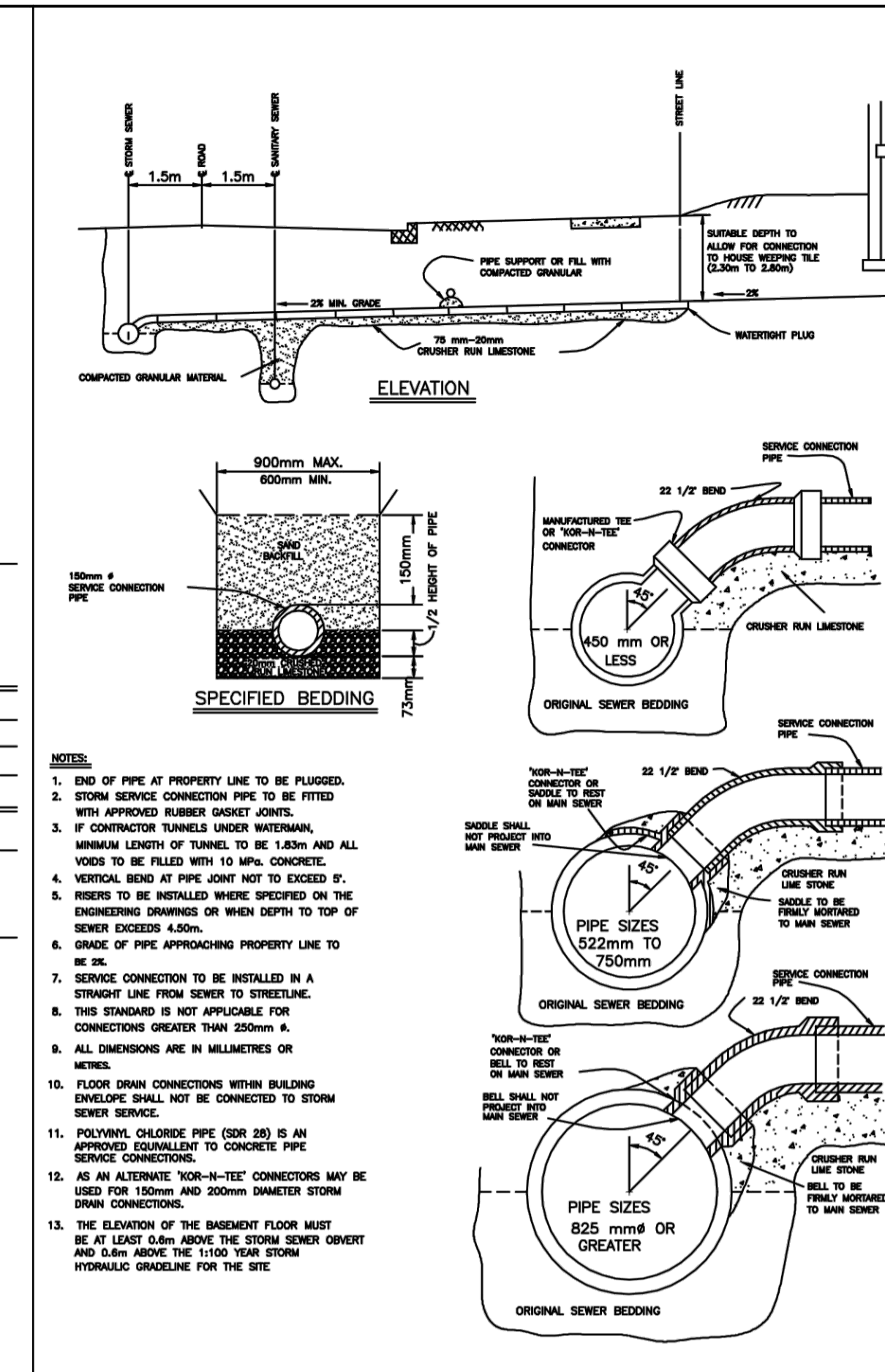
APPROVED	TOWNSHIP OF UXBRIDGE	DATE OF ISSUE	JANUARY 1999
REVISION	1	DRAWING NO.	US-201
DATE OF REVISION	MAY, 2005		



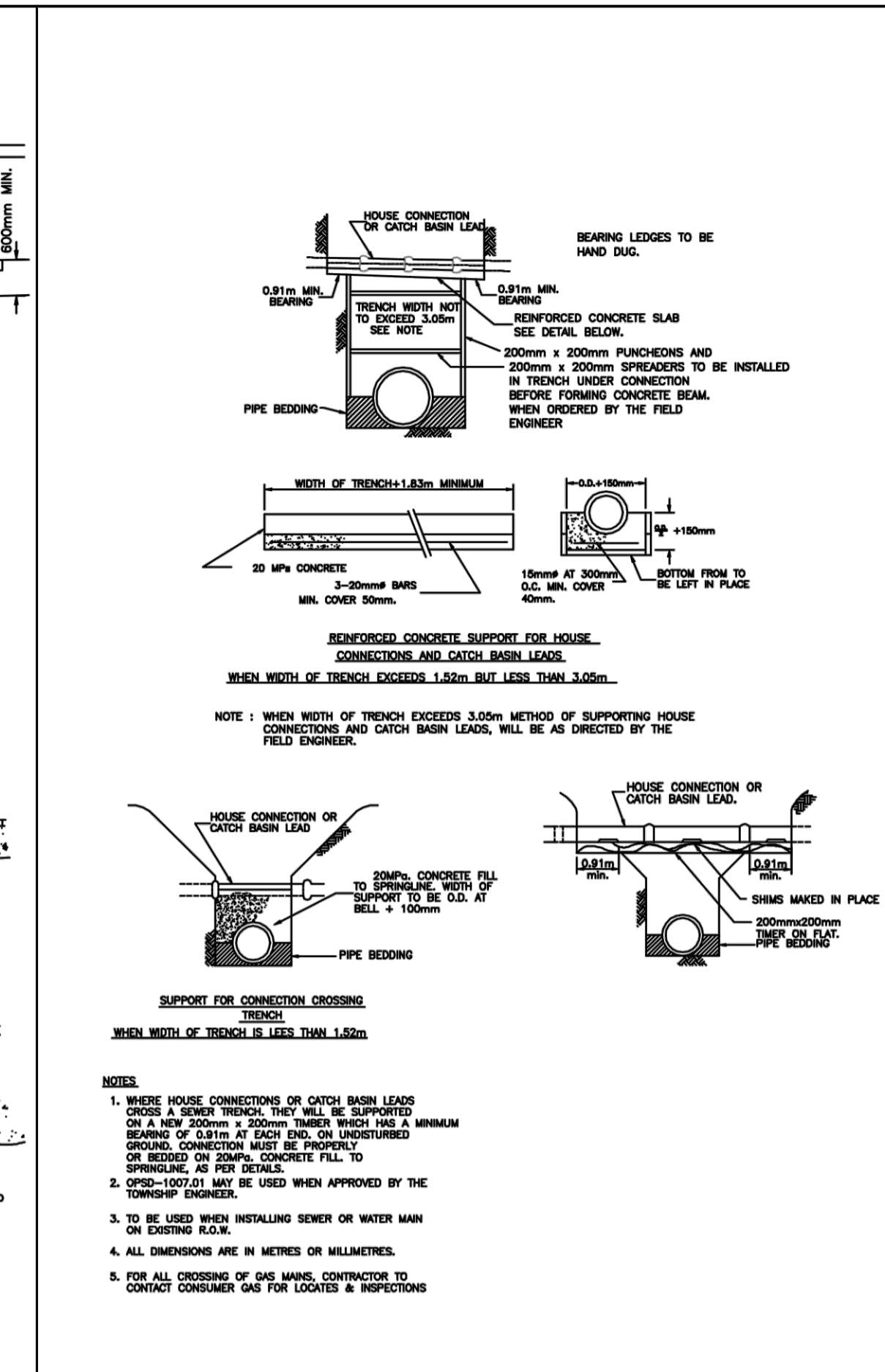
APPROVED	TOWNSHIP OF UXBRIDGE	DATE OF ISSUE	MARCH, 1999
REVISION	2	DRAWING NO.	US-162
DATE OF REVISION	MAY, 2005		



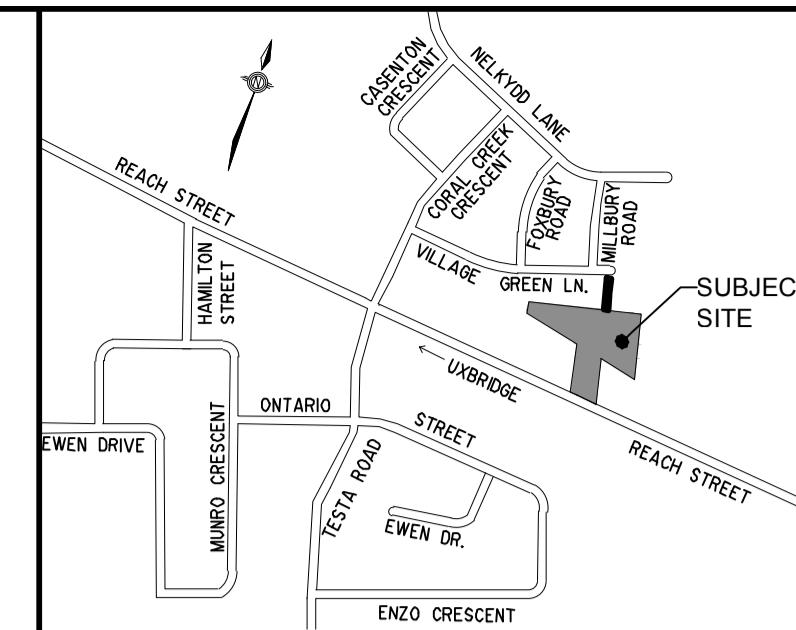
APPROVED	TOWNSHIP OF UXBRIDGE	DATE OF ISSUE	JANUARY 1999
REVISION	1	DRAWING NO.	US-302
DATE OF REVISION	MAY, 2005		



APPROVED	TOWNSHIP OF UXBRIDGE	DATE OF ISSUE	JANUARY 1999
REVISION	1	DRAWING NO.	US-165
DATE OF REVISION	MAY, 2005		



APPROVED	TOWNSHIP OF UXBRIDGE	DATE OF ISSUE	JANUARY 1999
REVISION	1	DRAWING NO.	US-171
DATE OF REVISION	MAY, 2005		



REVIEWED BY	TOWNSHIP OF UXBRIDGE	DATE	
APPROVED BY	REGION OF DURHAM	DATE	

BENCHMARK: ELEVATIONS ARE GEODETIC AND REFERRED TO THE MTO MONUMENT NO. 778488, ELEVATION = 267.903 M.			
NOTE: ALL DIMENSIONS AND ELEVATIONS IN METRES UNLESS NOTED OTHERWISE. ALL PIPE SIZES IN MILLIMETRES.			
No.	REVISIONS TO DRAWING	BY	DATE
ALL PREVIOUS ISSUES OF THIS DRAWING ARE SUPERSEDED			
CLIENT: VENITIAN GROUP			
MUNICIPALITY: TOWNSHIP OF UXBRIDGE REGION OF DURHAM			
PROJECT TITLE: REACH STREET LANDS			
SHEET TITLE: TOWNSHIP OF UXBRIDGE STANDARDS			
DESIGNED	KLD	DRAWN	RAV
CHECKED	WJL	DATE	OCTOBER 2021
SCALE	SCALE 1:500	PROJECT NUMBER	17:386
DWG. NUMBER	DET1		